



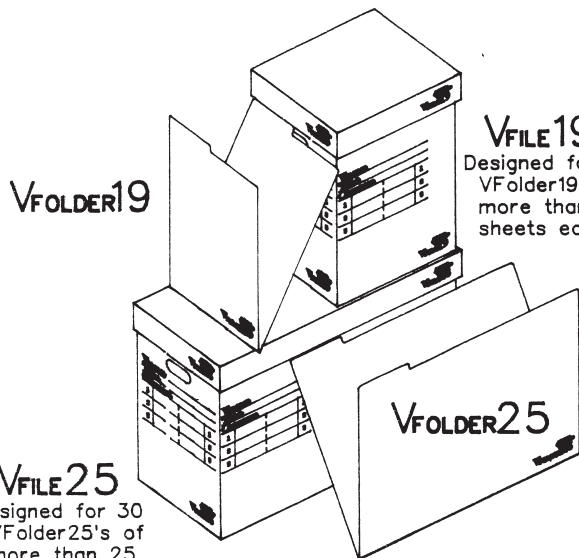
THE VFOLDER

For use with the VFile

Lightweight rigid white corrugated file folder provides needed support for vertical flat storage

$\frac{3}{4}$ " High tab for Standard Labels

Tabs can be staggered for easy view & retrieval by rotating folders



VFOLDER19

VFILE19

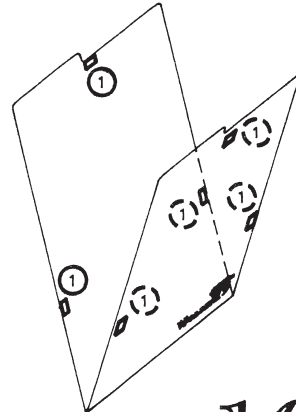
Designed for 30
VFolder19's of
more than 25
sheets each.

VFILE25

Designed for 30
VFolder25's of
more than 25
sheets each or 60
VFolder19's of more
than 25 sheets each.
Combinations of both
folder sizes may be used.

VFOLDER25

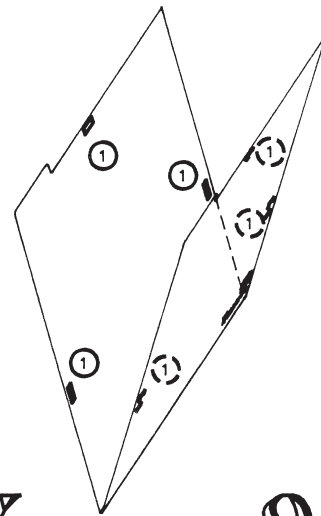
INSTRUCTIONS



VFOLDER19

13"W x 19"H plus $\frac{3}{4}$ " tab

Ideal for 11x17 & 12x18 format
Use with the VFile19 & VFile25
Purchased in packages of 10 folders



VFOLDER25

26"W x 19"H plus $\frac{3}{4}$ " tab

Ideal for 17x22 & 18x24 format
Use with the VFile25
Purchased in packages of 10 folders

VFOLDER19 & VFOLDER25

- ① PRECUT VELCRO® HOOK & LOOP FASTENERS ARE INCLUDED ON BACKING PAPER. DETACH FROM BACKING & SEPARATE. APPLY 3 HOOK FASTENERS TO INSIDE OF ONE SIDE OF THE FOLDER AT SCORED LOCATIONS ALONG OUTER EDGES. APPLY 3 LOOP FASTENERS TO THE OPPOSITE SIDE.

VELCRO® IS REGISTERED TRADEMARK OF VELCRO INDUSTRIES.