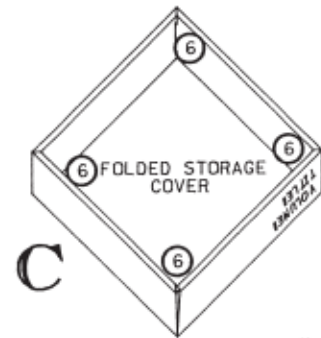
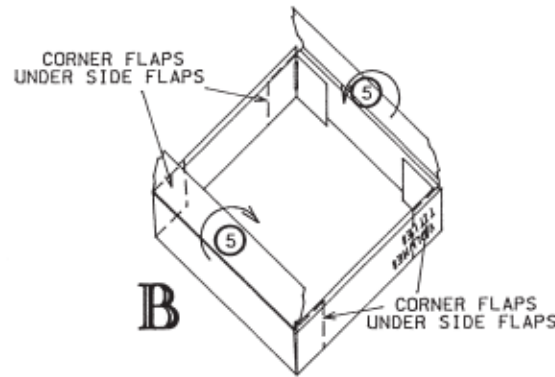
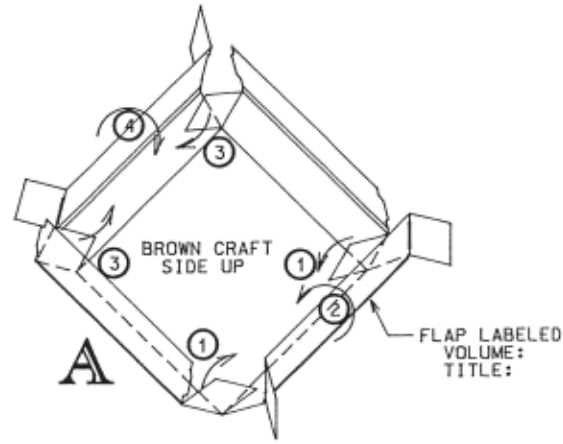
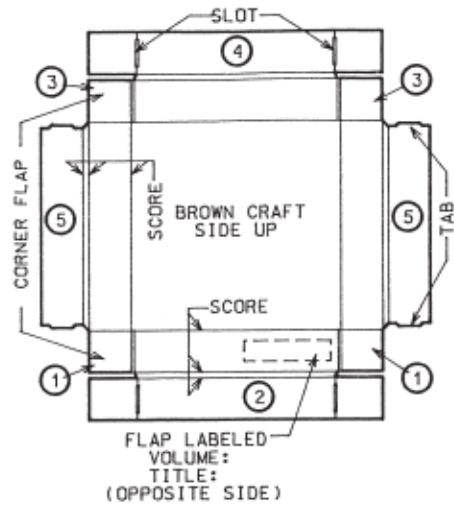


MANAGER COVER



MANAGER PARTITIONS

NOTE:
PRE-FOLD ALL SCORED FLAPS FOR CLEAN EDGE PRIOR TO FOLDING FOR FINAL ASSEMBLY

MANAGER COVER (A-C)

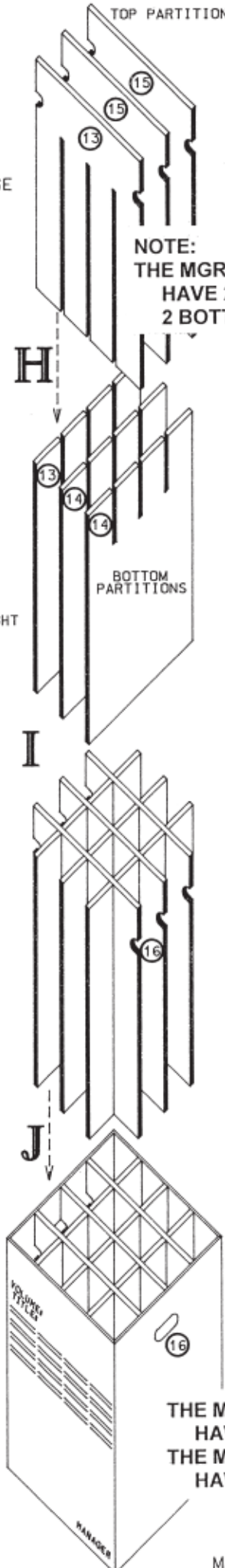
- 1 FOLD CORNER FLAPS IN & AGAINST THE SIDE FLAP LABELED "VOLUME:" & "TITLE:"
- 2 FOLD SIDE FLAP OVER CORNER FLAPS
- 3 FOLD SIDE FLAPS IN & AGAINST OPPOSITE SIDE
- 4 FOLD SIDE FLAP OVER CORNER FLAP
- 5 FOLD IN REMAINING SIDE FLAPS
- 6 LOCK TABS IN SLOTS

MANAGER BOX (D-G)

- 7 FOLD SINGLE FLAP IN AND AGAINST SIDE OF BOX INTERIOR
- 8 FOLD ENDS OF 3-TAB FLAP FLAT AGAINST CENTER OF 3-TAB FLAP
- 9 FOLD CENTER OF 3-TAB FLAP FLUSH WITH BOTTOM OF BOX & SET BOX UPRIGHT
- 10 USING FINGER HOLES, PULL ENDS OF 3-TAB FLAP IN & AGAINST SIDES OF BOX INTERIOR
- 11 FOLD SINGLE FLAP TO BOTTOM OF BOX
- 12 FOLD 4 TOP FLAPS IN & AGAINST SIDES OF BOX INTERIOR

MANAGER PARTITION (H-J)

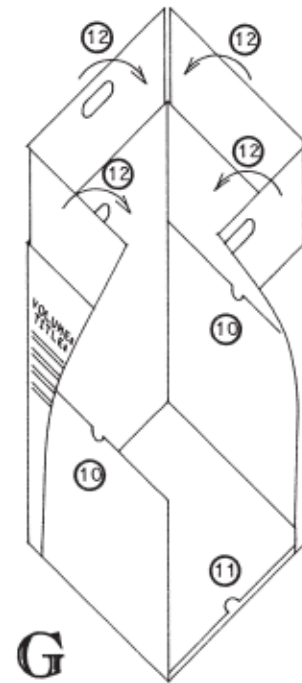
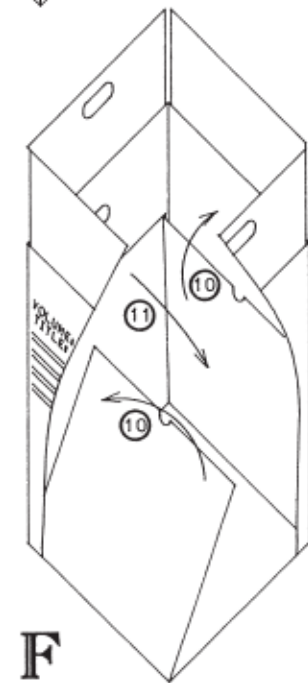
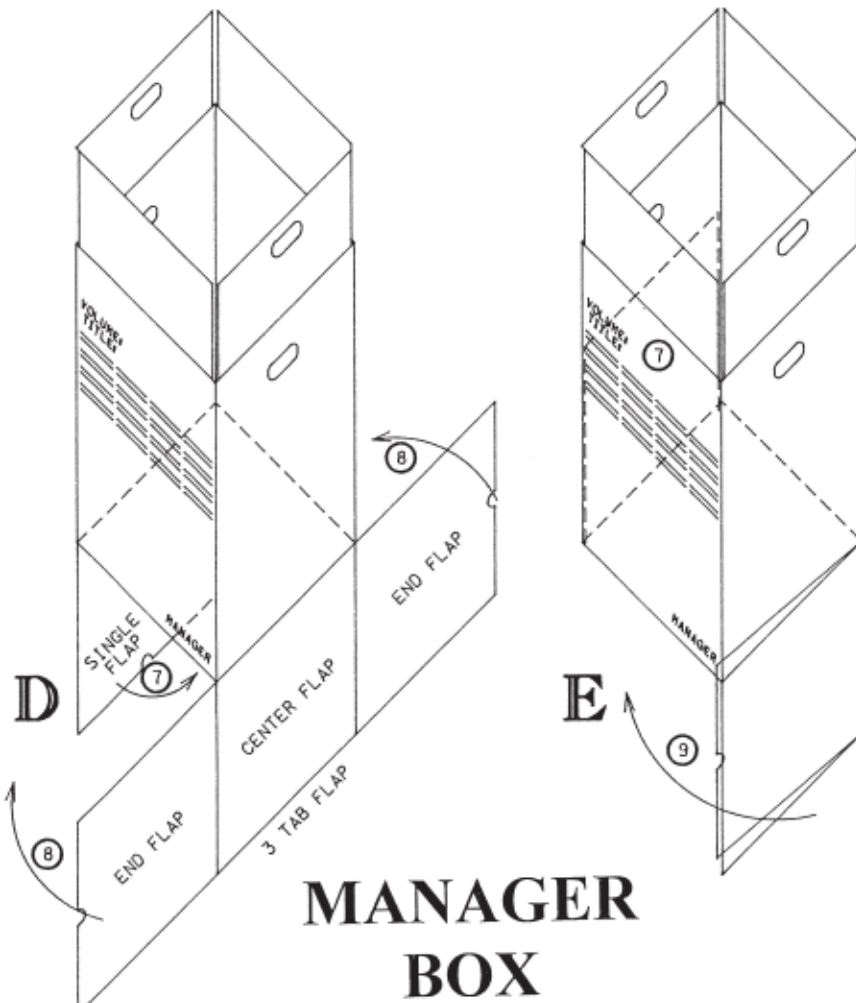
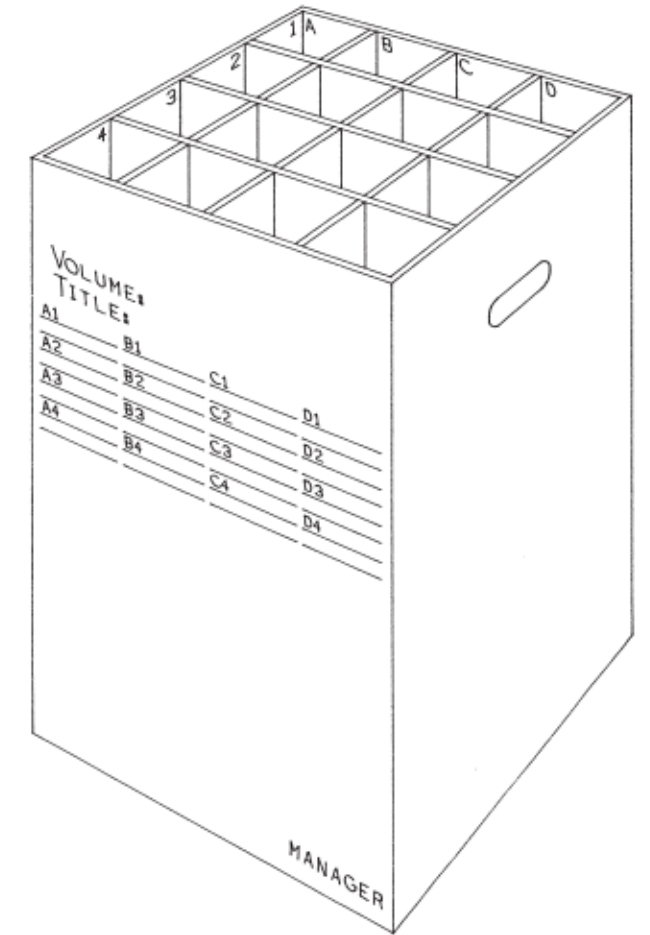
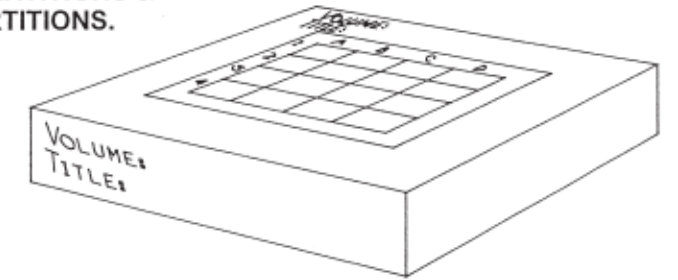
- 13 PRESS 1 TOP PARTITION INTO 1 BOTTOM PARTITION
- 14 PUT IN 2 REMAINING BOTTOM PARTITIONS
- 15 PUT IN 2 REMAINING TOP PARTITIONS
- 16 PUT ASSEMBLED PARTITION INTO BOX ALIGNING CUTOUTS & HAND HOLE



ADVANCED ORGANIZING SYSTEMS, INC.
www.aosystems.com



NOTE:
THE MGR-25-9 & MGR-37-9 HAVE 2 TOP PARTITIONS & 2 BOTTOM PARTITIONS.



MANAGER ASSEMBLED

THE MGR-25 (SHOWN) & MGR-37 HAVE 16 COMPARTMENTS.
THE MGR-25-9 & MGR-37-9 HAVE 9 COMPARTMENTS.